

# MLE100-12DC-UD

## Electronic UNIV 5 in 1 dimming

Outdoor Black Powder Coated Steel Enclosure

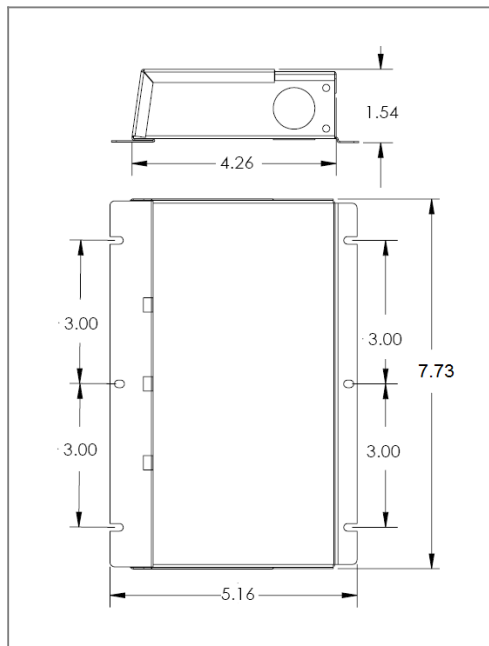
Single Circuit: **12VDC**

Total Wattage: **100W max**

Input Voltage: **100-277V 50/60Hz**



Conforms to UL STD. 8750 and 1310  
Certified to CSA  
STD. C22.2 № 250.0  
model MLE100-12DC-UD



### Transformer

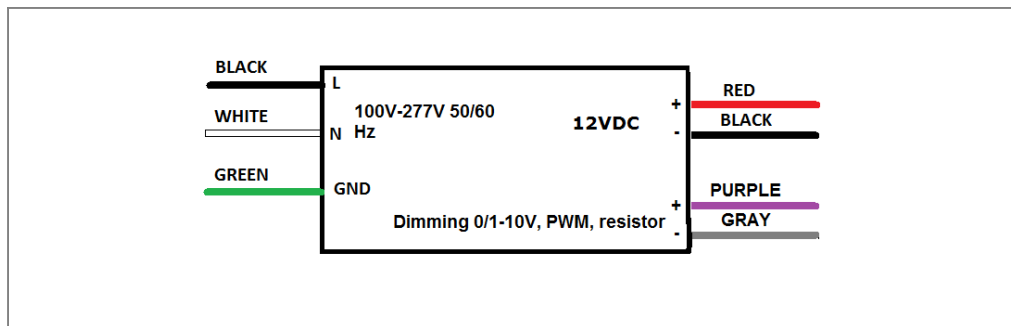
Dimmable with triac forward and reverse phase, 0/1-10V , resistor, PWM  
Input leads are 18AWG 600V  
Output leads are 16AWG 300V  
Leads max. operational temperature is 105°C

### Housing

The actual transformer 100W is encapsulated in the enclosure  
The enclosure is Black Powder Coated Steel, NEMA 3R rated  
Wiring compartment has 6 knockouts sizes for 3/8 inch screw cable connectors  
Enclosure Temperature does not exceed 70°C at 45°C ambient and fully loaded  
Dimensions (inch): H = 5.16, W = 7.73, D = 1.54  
Weight (LBs): 3

### Electrical Parameters

Input Voltage:	<b>100-277V 50/60Hz</b>
Max. input current at full load:	<b>1.1A</b>
Output voltage without load:	<b>12.1VDC</b>
Output voltage fully loaded:	<b>12VDC</b>
Max. Total Wattage:	<b>100W</b>
Max. Output Current:	<b>8.3A</b>
Efficiency:	<b>87%</b>
Load regulation:	<b>1%</b>
Ripple:	<b>5%</b>



Mailing Address: 6925 Eton Ave. Canoga Park, CA 91303 Tech support: Arik Nirenberg phone: 818-904-3309 cellphone: 818-269-4091  
Fax: 818 904 3327 info@emcod.com techsupport@emcod.com