

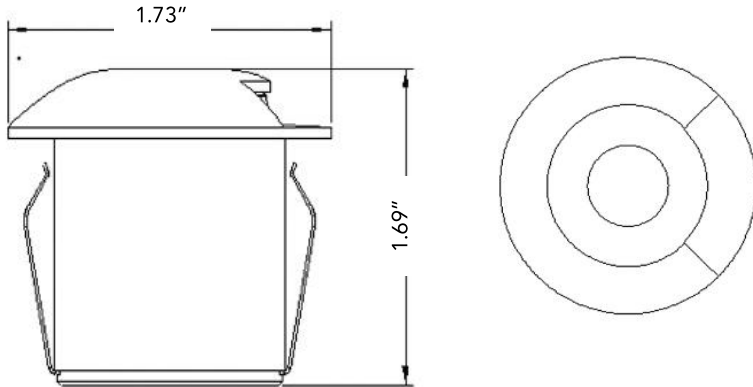
SPECIFICATIONS

Watts	1W (1.3W 24VDC)
Light Source	Cree SMD LED
CRI	80
Input	350mA - Constant Current 24VDC - Constant Voltage
Wiring	Series (350mA) Parallel (24VDC)
Dimming	350mA only
Temperature	3000K, 4000K, 6000K Red, Green, Blue, Amber
Dimensions	1.73"L x 1.73"W x 1.69"H Cable Length: 1.1M Drill Size: 32mm
Material	316 Stainless Steel, Tempered Glass
IP Rating	IP68
IK Rating	IK10
Certifications	ETL, CE, RoHS
Applications	Ingrade, Recessed Wall, Recessed Ceiling
Lifespan	50,000+ Hours
Warranty	2 Years

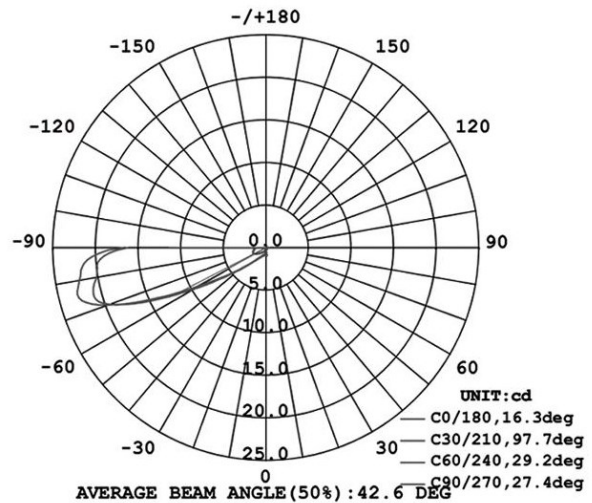
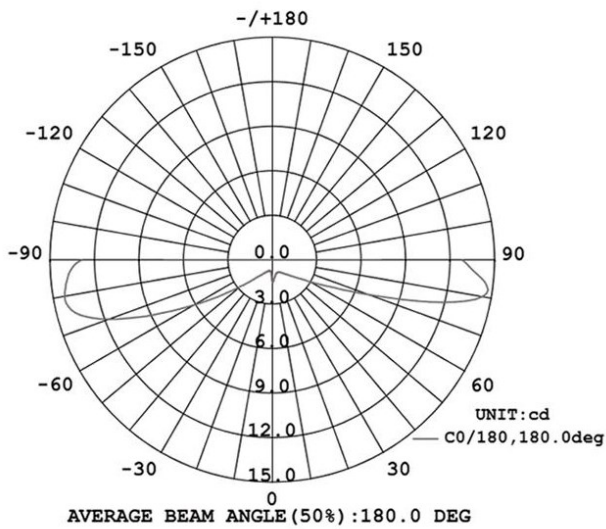
ORDERING GUIDE

Part	Type	Temperature	Input	Options
JLAL-001-ING-01	1: 1 Port	30K: 3000K	350: 350mA	MS: Mounting Sleeve
	2: 2 Port	40K: 4000K	24V: 24VDC	
	3: 3 Port	60K: 6000K		
		R: Red		
		G: Green		
		B: Blue		
		A: Amber		

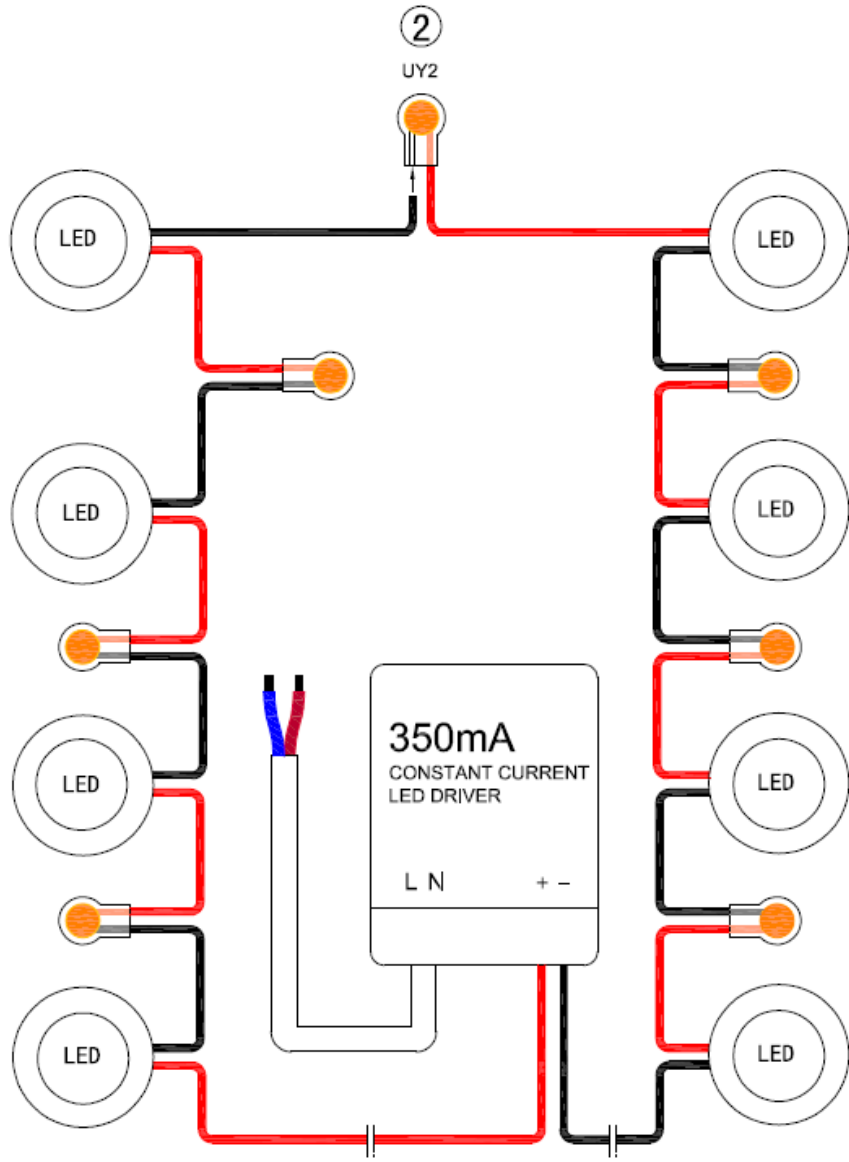
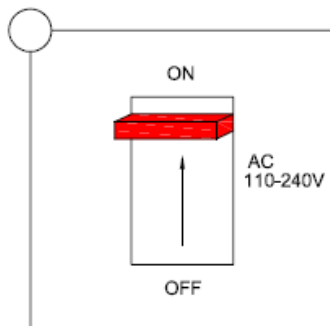
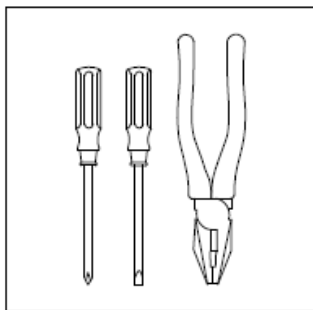
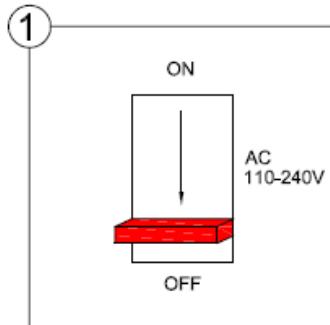
DIMENSIONS



PHOTOMETRICS

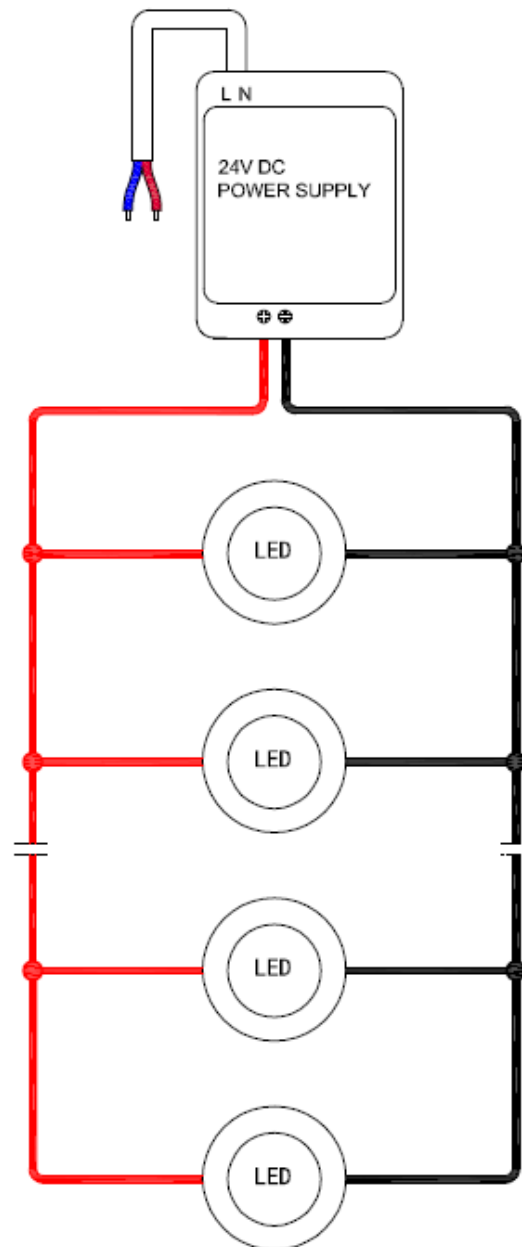
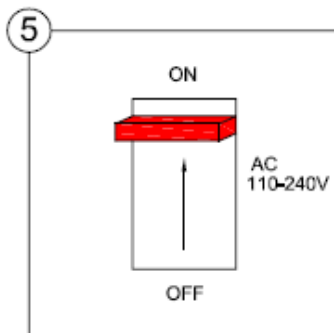
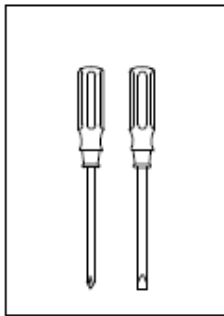
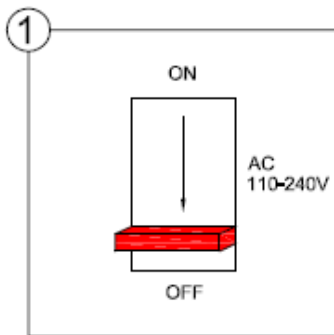


SERIES WIRING INSTRUCTIONS
(FOR 350mA DIMMABLE)



Note: The cable joint must have waterproofing while installing lamps and lanterns.
Do not connect lamps and lanterns when LED driver is powered on.

PARALLEL WIRING INSTRUCTIONS
(FOR 24VDC NON-DIMMABLE)



Note: The cable joint must have waterproofing while installing lamps and lanterns.
Do not connect lamps and lanterns when LED driver is powered on.