



## SPECIFICATIONS

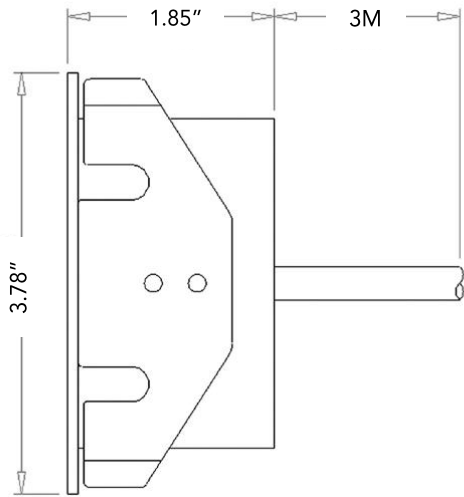
Watts	6W (6.5W 24VDC)
Lumens	600LM
Light Source	Cree SMD LED
CRI	80
Input	350mA - Constant Current 24VDC - Constant Voltage
Wiring	Series (350mA) Parallel (24VDC)
Dimming	350mA only
Temperature	3000K, 4000K, 6000K Red, Green, Blue, Amber
Beam Spread	10°, 40°
Dimensions	3.78"L x 3.78"W x 1.85"H Cable Length: 3M Drill Size: 85mm
Material	316 Stainless Steel, Tempered Glass
IP Rating	IP68
IK Rating	IK10
Certifications	ETL, CE, RoHS
Applications	Ingrade, Recessed Wall, Recessed Ceiling
Lifespan	50,000+ Hours
Warranty	2 Years

## ORDERING GUIDE

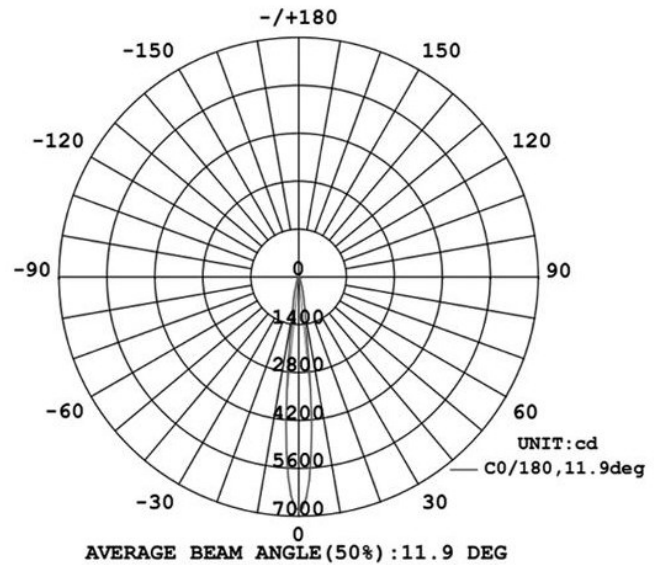
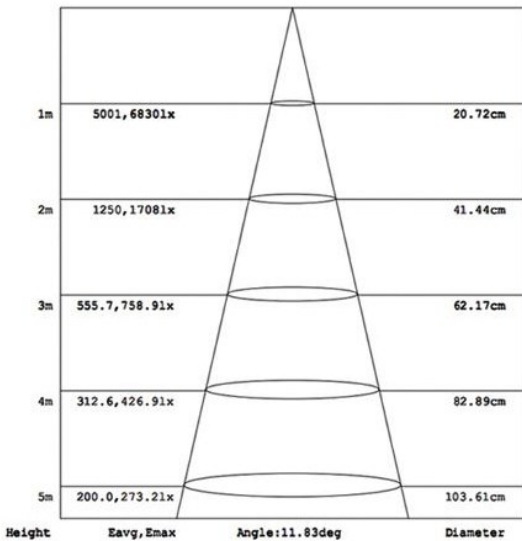
Part	Temperature	Beam Angle	Input	Options
JLAL-001-ING-033	30K: 3000K 40K: 4000K 60K: 6000K R: Red G: Green B: Blue A: Amber	10: 10° 40: 40°	350: 350mA 24V: 24VDC	MS: Mounting Sleeve

ALL PRODUCT, PRODUCT SPECIFICATIONS AND DATA ARE SUBJECT TO CHANGE WITHOUT NOTICE TO IMPROVE RELIABILITY, FUNCTION OR DESIGN OR OTHERWISE.

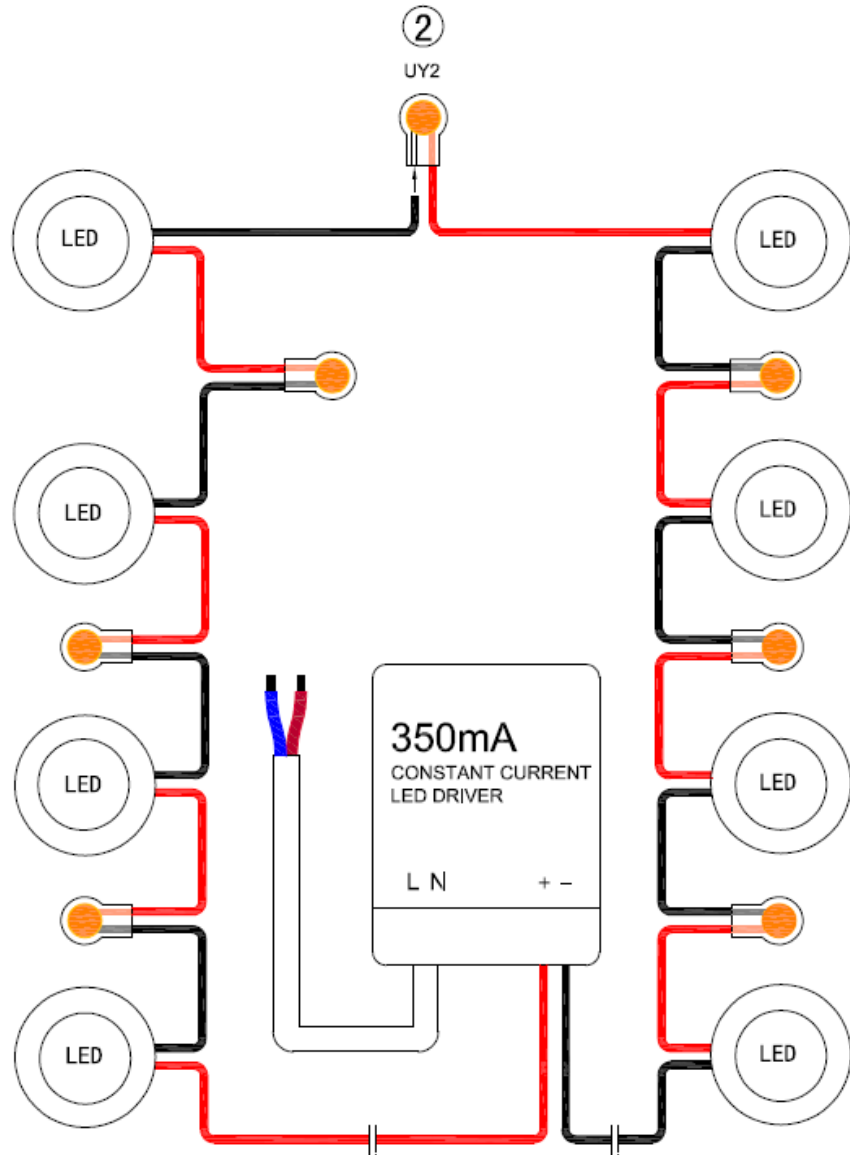
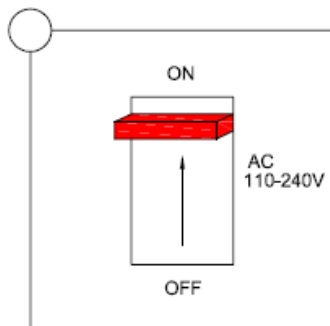
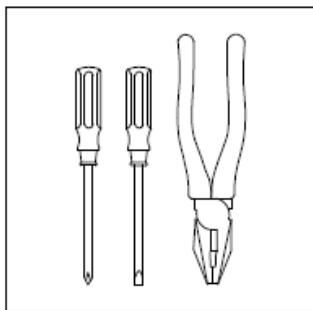
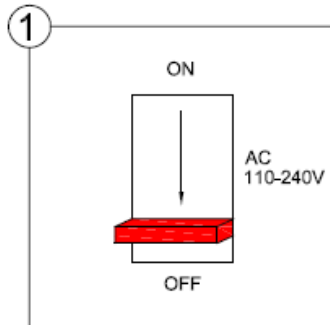
DIMENSIONS



PHOTOMETRICS

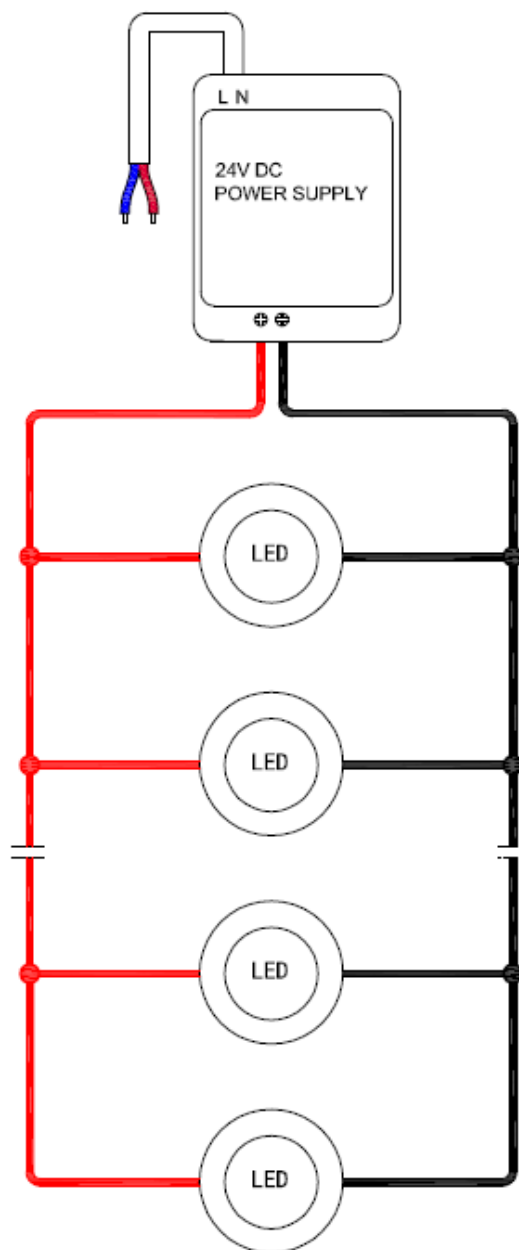
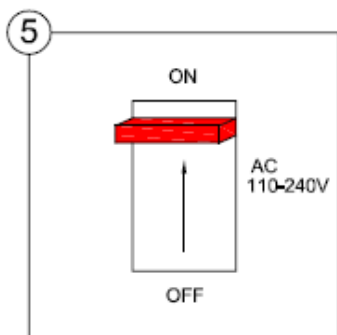
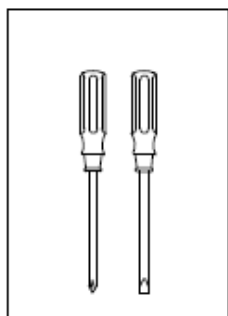
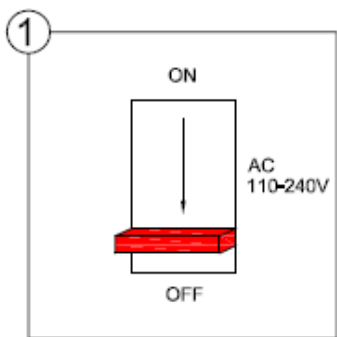


### SERIES WIRING INSTRUCTIONS (FOR 350mA DIMMABLE)



Note: The cable joint must have waterproofing while installing lamps and lanterns.  
Do not connect lamps and lanterns when LED driver is powered on.

### PARALLEL WIRING INSTRUCTIONS (FOR 24VDC NON-DIMMABLE)



Note: The cable joint must have waterproofing while installing lamps and lanterns.  
Do not connect lamps and lanterns when LED driver is powered on.