

Aluminum Mounting Sleeve

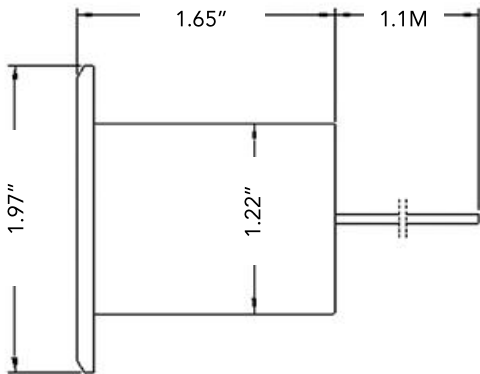
SPECIFICATIONS

Watts	1W (350mA) 1.3W (24VDC)
Lumens	100LM
Light Source	Cree SMD LED
CRI	80
Input	350mA - Constant Current 24VDC - Constant Voltage
Wiring	Series (350mA) Parallel (24VDC)
Dimming	350mA only
Temperature	3000K, 4000K, 6000K Red, Green, Blue, Amber (Colors Require DMX Controller)
Beam Spread	20°, 60°
Dimensions	1.97" L x 1.97"W x 1.65"H Cable Length: 1.1M Drill Size: 33mm
Material	316 Stainless Steel, Tempered Glass
IP Rating	IP68
IK Rating	IK10
Certifications	ETL, CE, RoHS
Applications	Ingrade, Recessed Wall, Recessed Ceiling
Lifespan	50,000+ Hours
Warranty	2 Years

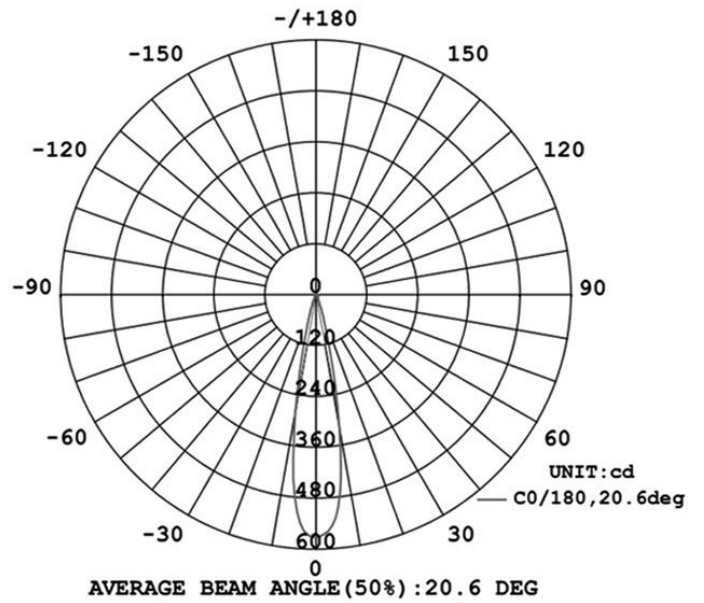
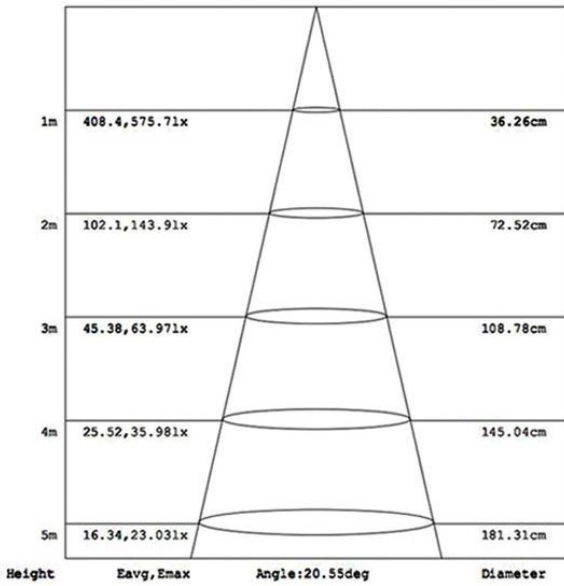
20° ORDERING GUIDE

Part	Temperature	Beam Angle	Input	Options
JLAL-001-ING-023	30K: 3000K	20: 20°	350: 350mA	MS: Aluminum Mounting Sleeve
	40K: 4000K	60: 60°	24V: 24VDC	
	60K: 6000K			
	R: Red			
	G: Green			
	B: Blue			
	A: Amber			

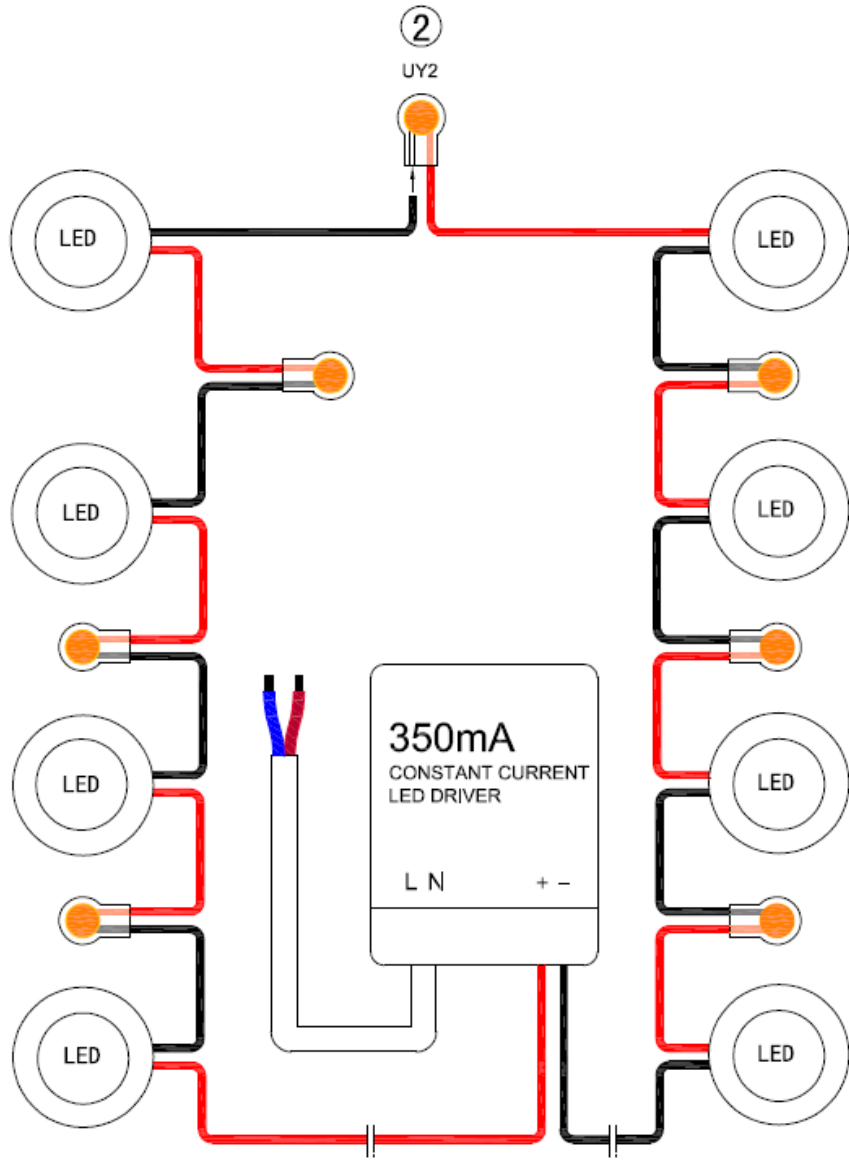
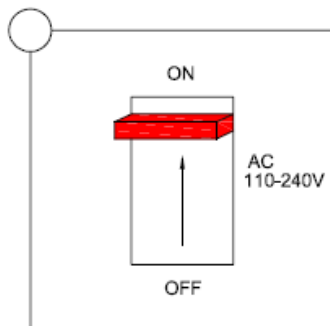
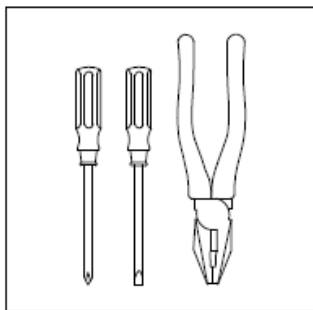
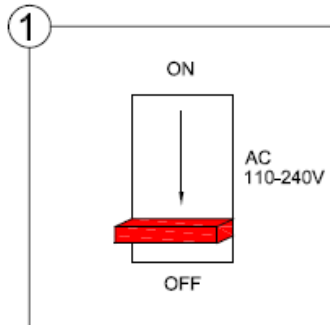
DIMENSIONS



PHOTOMETRICS

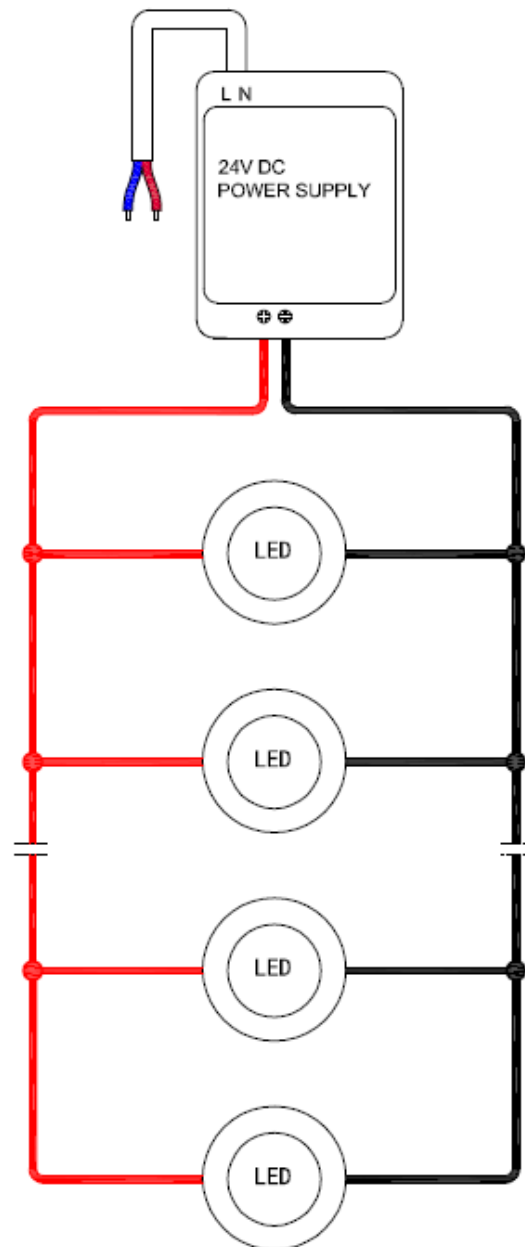
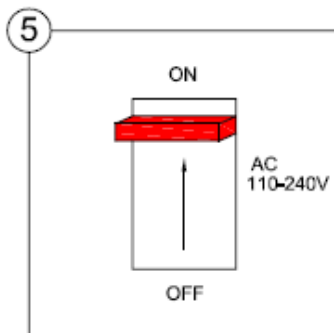
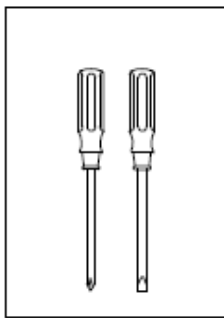
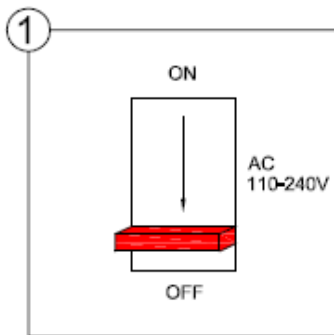


SERIES WIRING INSTRUCTIONS
(FOR 350mA DIMMABLE)



Note: The cable joint must have waterproofing while installing lamps and lanterns.
Do not connect lamps and lanterns when LED driver is powered on.

PARALLEL WIRING INSTRUCTIONS
(FOR 24VDC NON-DIMMABLE)



Note: The cable joint must have waterproofing while installing lamps and lanterns.
Do not connect lamps and lanterns when LED driver is powered on.