

Aluminum Mounting Sleeve

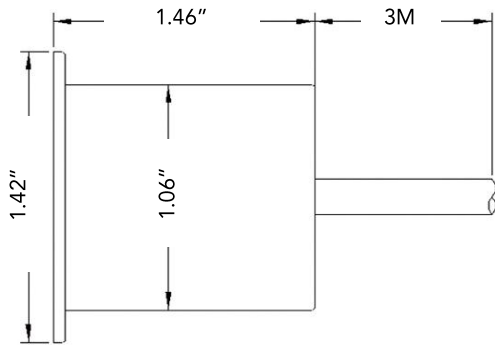
SPECIFICATIONS

Watts	1W
Lumens	20LM
Light Source	Cree SMD LED
CRI	80
Input	24VDC - Constant Voltage
Wiring	Parallel
Dimming	Non-dimmable
Temperature	3000K, 4000K, 5000K Red, Green, Blue, Amber
Beam Spread	120°
Dimensions	1.42"L x 1.42"W x 1.46"H Cable Length: 3 m Drill Size: 29mm
Material	316 Stainless Steel or Brass, Tempered Glass
Finish	Stainless Steel, Brass
IP Rating	IP68
IK Rating	IK10
Certifications	ETL, CE, RoHS
Applications	Ingrade, Recessed Wall, Recessed Ceiling
Lifespan	50,000+ Hours
Warranty	2 Years

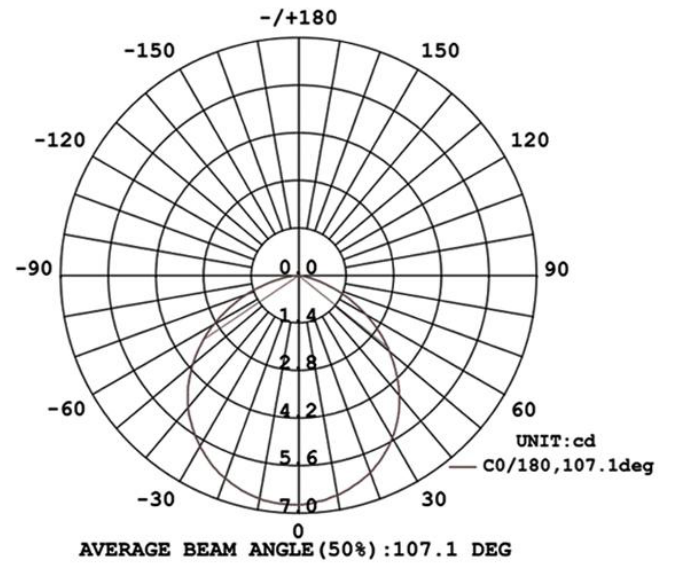
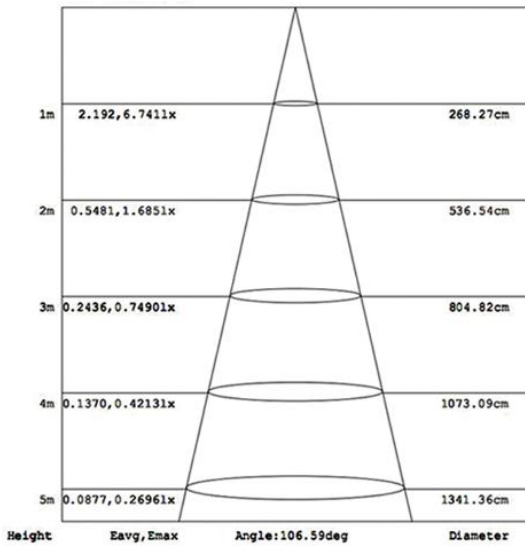
ORDERING GUIDE

Part	Temperature	Finish	Options
JLAL-001-ING-014	30K: 3000K	SS: Stainless Steel	MS: Aluminum Mounting Sleeve
	40K: 4000K	BR: Brass (Minimum Order Required)	
	50K: 5000K		
	R: Red		
	G: Green		
	B: Blue		
	A: Amber		

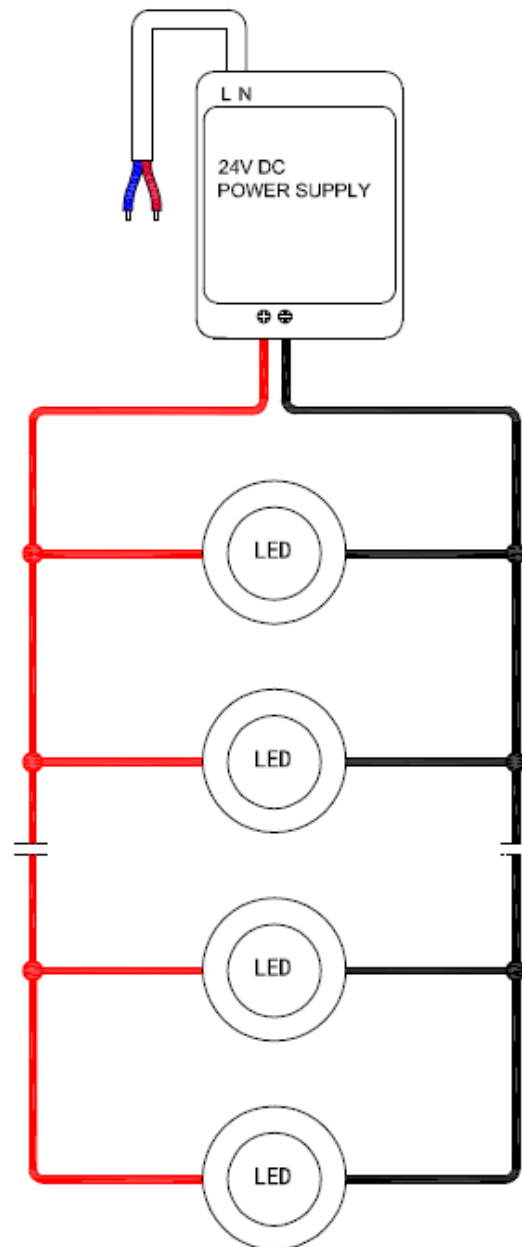
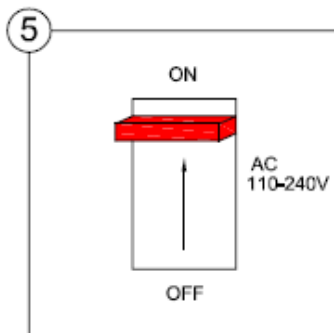
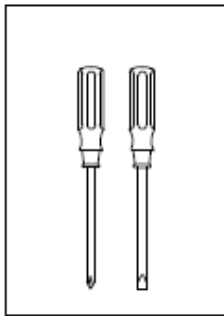
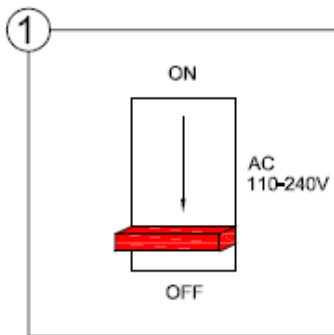
DIMENSIONS



PHOTOMETRICS



PARALLEL WIRING INSTRUCTIONS
(FOR 12/24VDC NON-DIMMABLE)



Note: The cable joint must have waterproofing while installing lamps and lanterns.
Do not connect lamps and lanterns when LED driver is powered on.