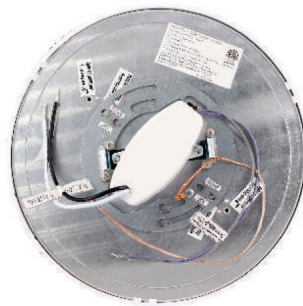
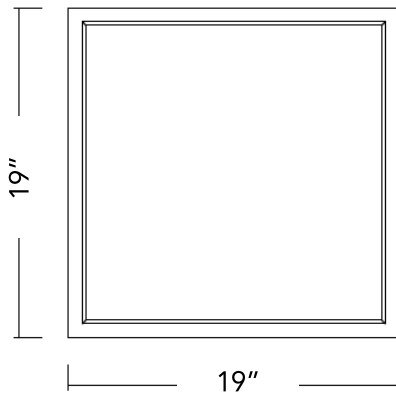


19IN SQUARE SLIM SURFACE

just led + lights



On-Board Driver
(shown on Round fixture)

SPECIFICATIONS

Watts	35W
Lumens	2900-2300LM
Efficacy	83LM/W (at 80CRI)
CRI	80, 90
Input	120V
Beam Spread	120°
Dimming	TRIAC
Temperature	3000K, 4000K, 5000K
Dimensions	19"L x 19"W x 1"H
Material	Steel Backplate, Acrylic Lens, Die-Cast Trim
Trim Finish	White, Black, Brushed Nickel Interchangeable Trim Rings are Optional
Installation	Installs on standard j-box with quick snap.
Features	On-Board driver eliminates the need for a traditional driver. Features edge-lit technology for even illumination. Provides an affordable alternative to IC-Airtight housings and Fire-Rated boxes.
Certifications	ETL listed Wet Locations
Lifespan	50,000 Hours
Warranty	5 Years-Limited

ORDERING GUIDE

Part	Temperature	CRI	Finish	Options
JLAL-011-CLG-027	30K: 3000K	80: 80CRI	WH: White	TR-BK: Black Trim Ring
	40K: 4000K	90: 90CRI	BK: Black	TR-BN: Brushed Nickel Trim Ring
	50K: 5000K		BN: Brushed Nickel	

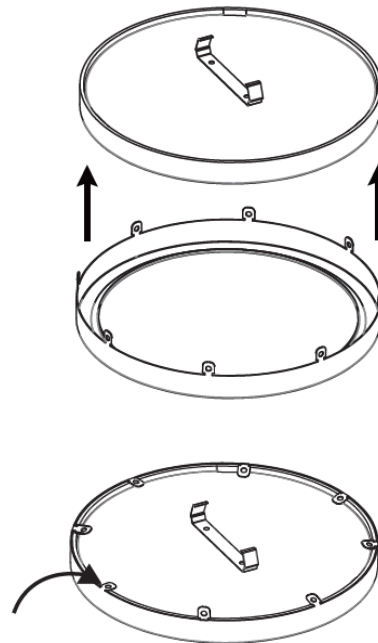
INTERCHANGEABLE TRIM RINGS

Interchangeable trim rings available to quickly change the trim finish of the 19in Square Slim Surface Light.

Steel Construction with finishes available in Black or Brushed Nickel.

INSTRUCTIONS

1. Uninstall from ceiling prior to adding trim ring.
2. Insert over existing trim.
3. Bend metal tabs slowly to avoid breaking the tabs. DO NOT pull back once secured.



INSTALLATION

Step 1:

Take the mounting plate out of the fixture by twisting it counterclockwise. When the hole on the mounting plate aligns with two tabs on the fixture, you can take the mounting plate out.

Step 2:

Place the mounting plate over the outlet box. Insert mounting screws through the slots in the mounting plate and then tightly secure the mounting screws and safety cable into the outlet box.

Step 3:

Connect supply wires to wires in fixture wiring box with proper size wire nuts or push wires into "push-in" connector. Connect white to white, black to black, and green or bare copper wire to bare copper wire.

Step 4:

Align two tabs on the fixture with two holes on the mounting plate and then twist it into mounting plate clockwise. Now, the installation is completed.

