



SPECIFICATIONS



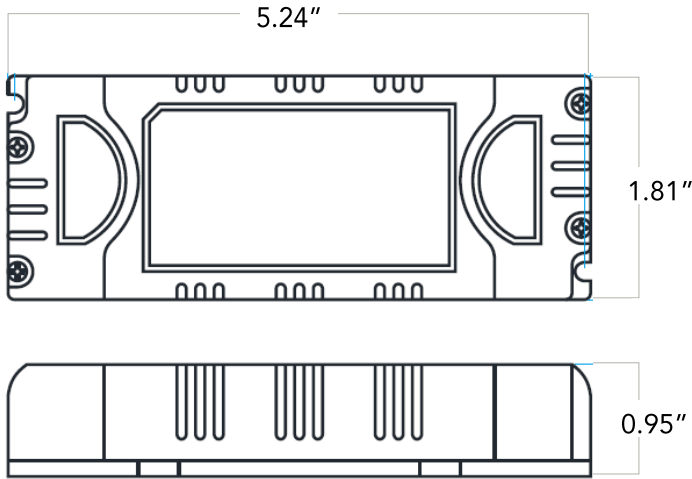
Watts	30W
Dimming	0-10V
Input Voltage Range	100-277VAC
Input Frequency Range	50-60Hz
Input Power Factor	>0.95
Full Load Efficiency	≥85%
AC Current	0.3A & 0.15A
Output Mode	Constant Voltage
Output Rated Current	2400mA (12V), 1250mA (24V)
Output Current Accuracy	±10%
Output Voltage	12VDC, 24VDC
Short Circuit Protection	Intermittent restart mode after the exception can be automatically restored.
Over Voltage Protection	Hiccup mode after the removal of abnormal flow can be automatically restored.
Operating Temperature	-30-45°C, 5-95% RH
Storage Temperature	-40-70°C, 5-95% RH
Temperature Coefficient	±0.03%/°C (0-50°C)
Vibration	5-55Hz/2g, 30 Minutes
Safety	EN60598
Pressure	I/P-O/P: 3KVAC IP-FG: 1.88KVAC O/P-FG: 0.5KVAC
EMC Emission	EN55022, EN55015 Class B
Dimensions	5.24"L x 1.81"W x 0.95"H
Weight	140g
Material	Fireproof PC Plastic
Warranty	5 Years

ORDERING GUIDE

Part
JLAL-007-PWR-021

Voltage
12: 12VDC
24: 24VDC

DIMENSIONS



0-10V DIMMER WIRING DIAGRAM

