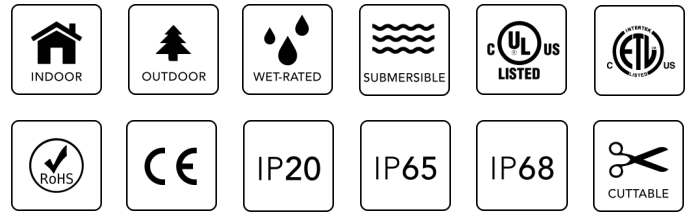


# 24W LED STRIP KIT

just led + lights



## SPECIFICATIONS

Watts	1.5W/FT
Lumens	130-139LM/FT
Light Source	3528-60 SMD LED
CRI	90
Input	12VDC, 24VDC
Dimming	0-10V
Temperature	2700K, 3000K, 4000K
Beam Spread	120°
Dimensions	1.6M (63") Lengths IP20: 8mm W x 2.3mm H IP65: 8mm W x 3mm H IP68: 10.5mm W x 5.3mm H
Cuttable	Every 1.97" (12V), Every 3.94" (24V)
Material	Flexible FPC with 3M VHB Adhesive Backing
IP Rating	IP20: Suitable for Indoor/Dry application IP65: Suitable for Outdoor/Damp applications IP68: Suitable for Wet applications
Certifications	cUL (Strip), cETL (Driver), CE, RoHS
Lifespan	35,000+ Hours
Warranty	3 Years

IP20



IP65



IP68



## ORDERING GUIDE

Part	Temperature	Voltage	IP Rating
JLAL-STR-24W-KIT-3	27K: 2700K	12: 12VDC	IP20: IP20
	30K: 3000K	24: 24VDC	IP65: IP65
	40K: 4000K		IP68: IP68

## KIT DETAILS

3<sub>ea</sub> 1.6M Lengths of LED Strip with 1M Jumper Cable at each end\*



1<sub>ea</sub> 30W Dimmable Power Supply with 60in Plug



2<sub>ea</sub> 2M Jumper Cable with Connectors at each end\*



2<sub>ea</sub> Cable to Cable Connector\*



2<sub>ea</sub> Cable to LED Strip Connector\*



2<sub>ea</sub> LED Strip to LED Strip Connector\*



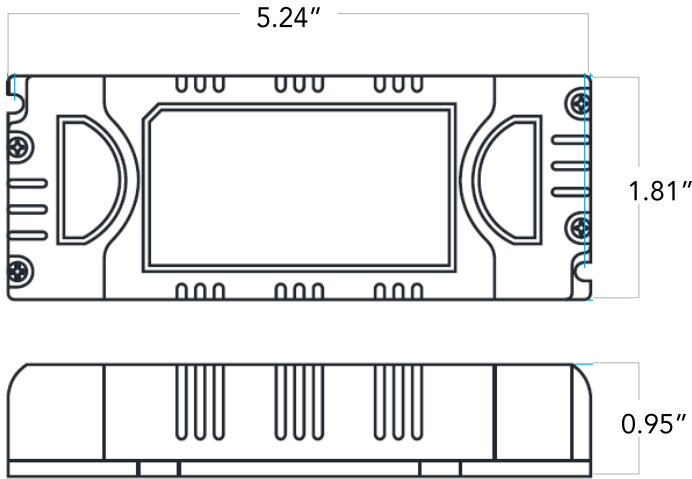
6<sub>ea</sub> Cable Clips\*



\* Includes 3M VHB Adhesive Backing



DIMENSIONS



0-10V DIMMER WIRING DIAGRAM

